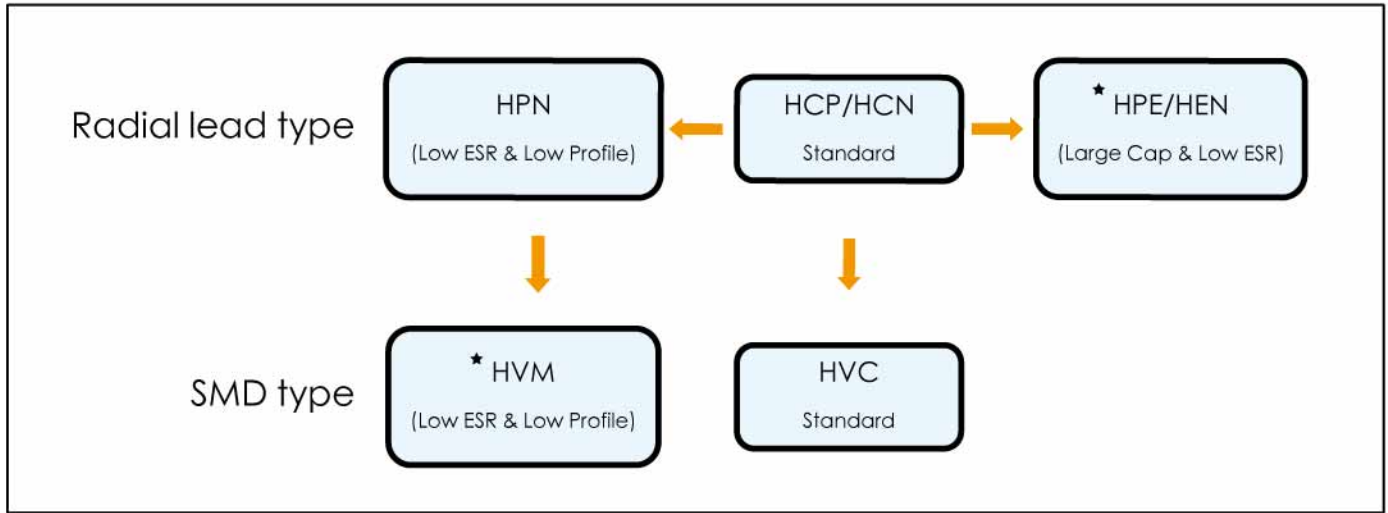
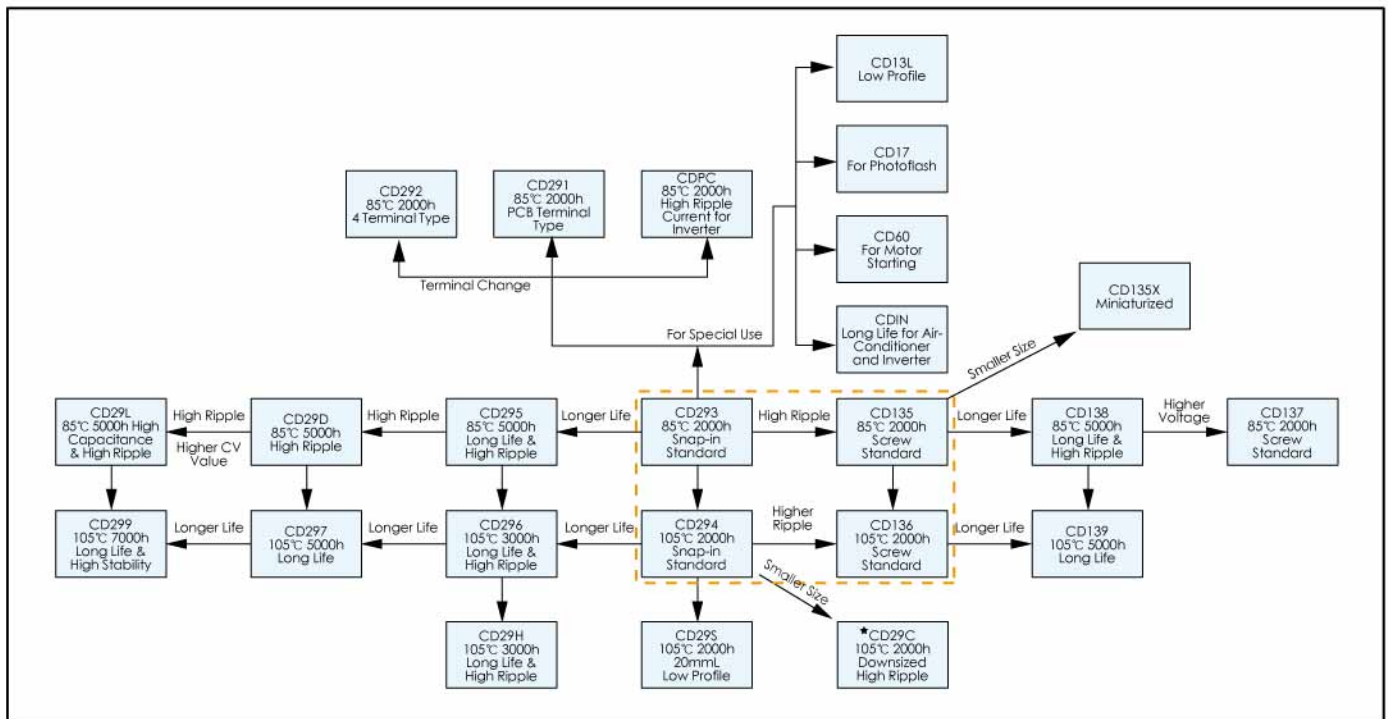




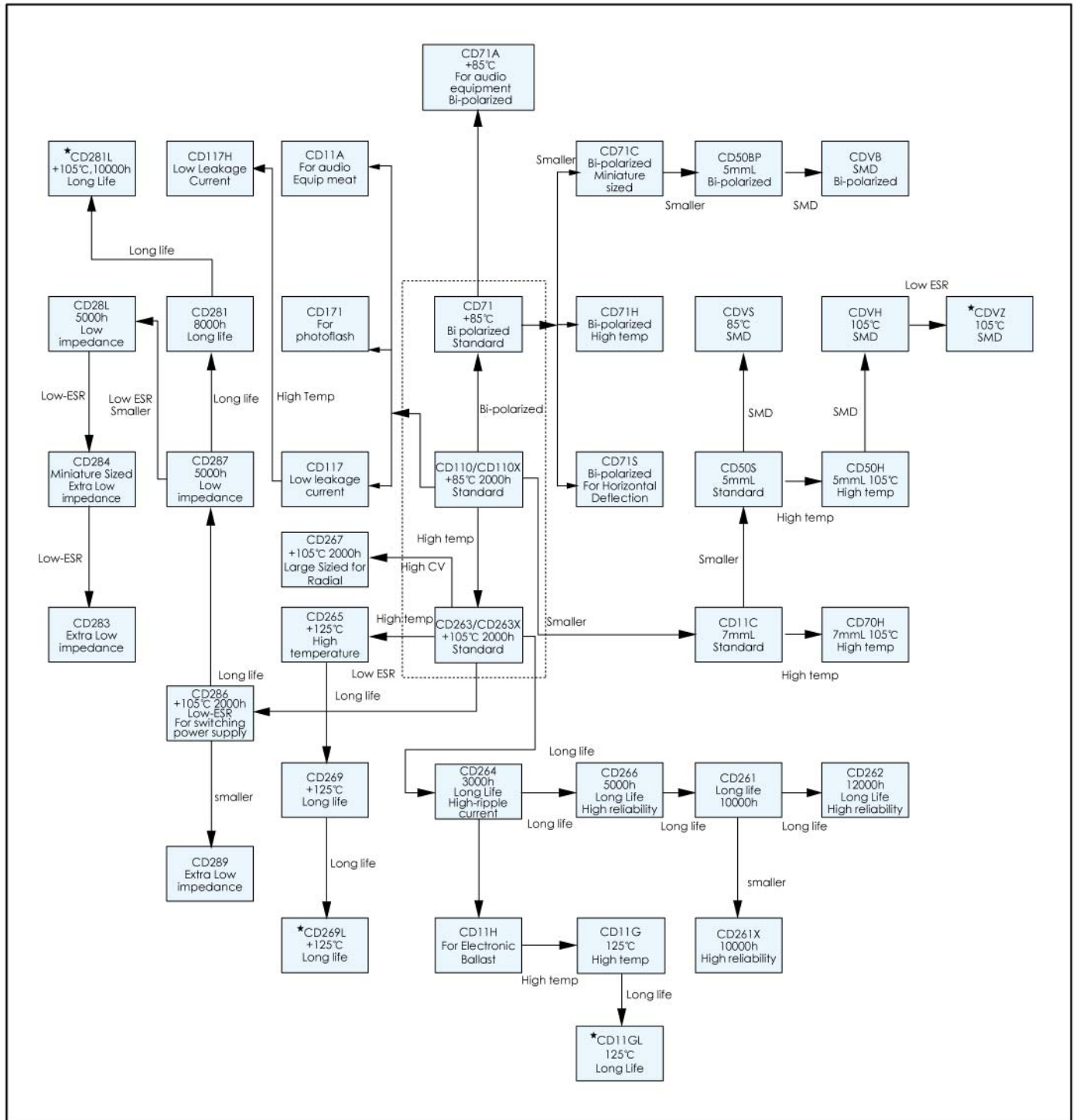
Conductive Polymer Solid Electrolyte Capacitors



Large Can Aluminum Electrolytic Capacitors



Miniature Aluminum Electrolytic Capacitors



★ New Series